

Technical data sheet



Product features

Combi convection steam oven electric 5x GN 1/1 direct steam touch screen automatic cleaning right door

| | | |
|--------------|-----------------|----------|
| Model | SAP Code | 00012877 |
|--------------|-----------------|----------|



- Steam type: Injection
- Number of GN / EN: 5
- GN / EN size in device: GN 1/1
- GN device depth: 65
- Control type: Touchscreen + buttons
- Display size: 7"
- Humidity control: Yes, indirect measuring
- Advanced moisture adjustment: No
- Delta T heat preparation: Yes
- Multi level cooking: Drawer program - control of heat treatment for each dish separately
- Door constitution: Vented safety double glass, removable for easy cleaning

| | | | |
|----------------------------|--------------------|-------------------------------|-----------------------|
| SAP Code | 00012877 | Steam type | Injection |
| Net Width [mm] | 907 | Number of GN / EN | 5 |
| Net Depth [mm] | 752 | GN / EN size in device | GN 1/1 |
| Net Height [mm] | 657 | GN device depth | 65 |
| Net Weight [kg] | 75.00 | Control type | Touchscreen + buttons |
| Power electric [kW] | 6.300 | Display size | 7" |
| Loading | 400 V / 3N - 50 Hz | | |

Technical data sheet



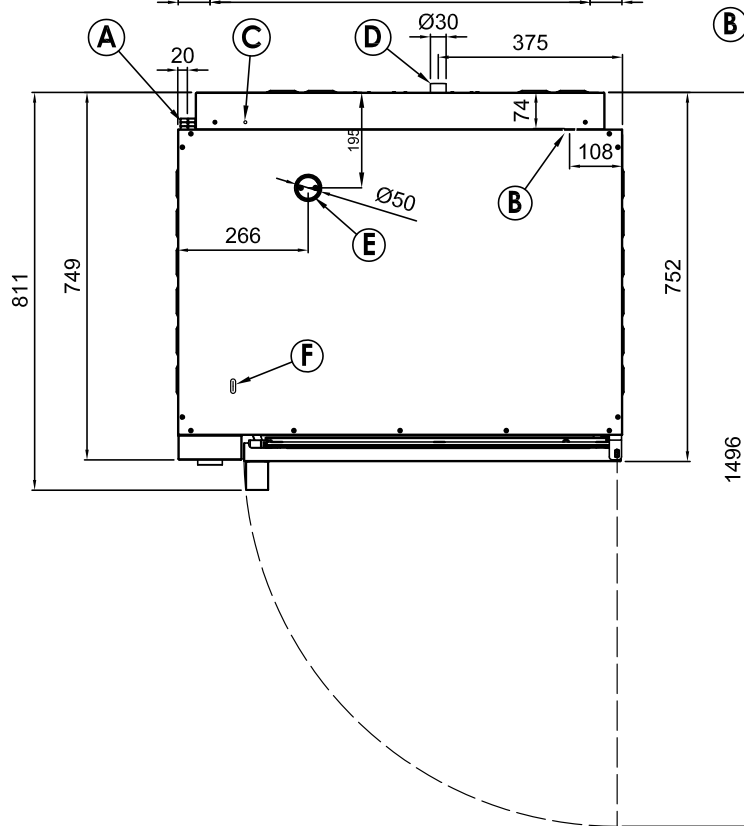
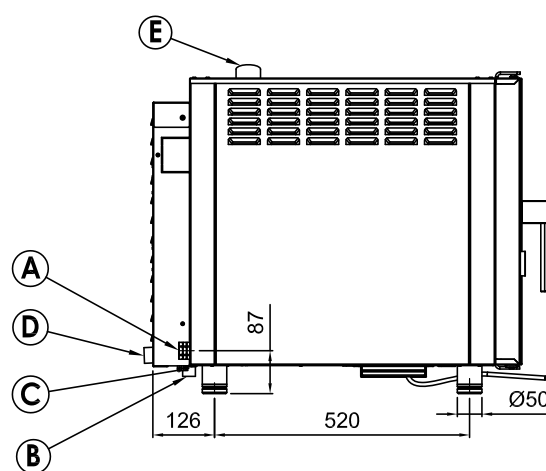
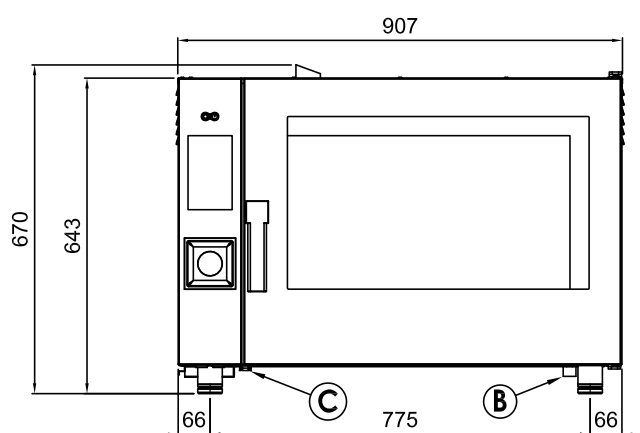
Technical drawing

Combi convection steam oven electric 5x GN 1/1 direct steam touch screen automatic cleaning right door

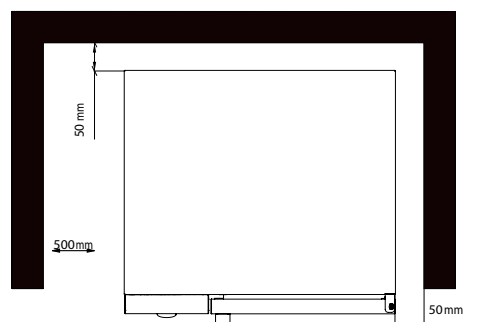
Model

SAP Code

00012877



- A Electrical connection
- B Softened water inlet (G3/4)
- C Equipotential bonding
- D Drain (Ø30)
- E Humidity discharge (Ø50)
- F Detergent hose inlet



* Clearance requirements

NOTE

* Drain line must be vented

Technical data sheet



Technical parameters

Combi convection steam oven electric 5x GN 1/1 direct steam touch screen automatic cleaning right door

Model

SAP Code

00012877

1. SAP Code:

00012877

2. Net Width [mm]:

907

3. Net Depth [mm]:

752

4. Net Height [mm]:

657

5. Net Weight [kg]:

75.00

6. Gross Width [mm]:

940

7. Gross depth [mm]:

900

8. Gross Height [mm]:

780

9. Gross Weight [kg]:

85.00

10. Device type:

Electric unit

11. Power electric [kW]:

6.300

12. Loading:

400 V / 3N - 50 Hz

13. Material:

AISI 304

27. Detergent type:

Liquid washing detergent + water rinse

14. Exterior color of the device:

Stainless steel

15. Humidity control:

Yes, indirect measuring

16. Stacking availability:

Yes

17. Control type:

Touchscreen + buttons

18. Additional information:

possibility of reverse door opening - handle on the right side (must be specified when ordering)

19. Steam type:

Injection

20. Chimney for moisture extraction:

Yes

21. Delayed start:

Yes

22. Display size:

7"

23. Delta T heat preparation:

Yes

24. Unified finishing of meals EasyService:

Yes

25. Night cooking:

Yes

26. Washing system:

Open

42. Interior lighting:

Yes

Technical data sheet



Technical parameters

Combi convection steam oven electric 5x GN 1/1 direct steam touch screen automatic cleaning right door

Model

SAP Code

00012877

28. Multi level cooking:

Drawer program - control of heat treatment for each dish separately

29. Advanced moisture adjustment:

No

30. Slow cooking:

from 50 °C

31. Fan stop:

Interruption when door is opened, not braked

32. Lighting type:

LED lighting in the door, on one side

33. Cavity material and shape:

AISI 304, with rounded corners for easy cleaning

34. Reversible fan:

Yes

35. Sustance box:

Yes

36. Standard equipment for device:

1-point probe

37. Heating element material:

Incoloy

38. Probe:

Yes

39. Shower:

Manual (optional)

40. Distance between the layers [mm]:

74

41. Smoke-dry function:

Yes

43. Low temperature heat treatment:

Yes

44. Number of fans:

1

45. Number of fan speeds:

3

46. Number of programs:

1000

47. USB port:

Yes, for uploading recipes and updating firmware

48. Door constitution:

Vented safety double glass, removable for easy cleaning

49. Number of preset programs:

100

50. Number of recipe steps:

9

51. Minimum device temperature [°C]:

50

52. Maximum device temperature [°C]:

300

53. Device heating type:

Combination of steam and hot air

54. HACCP:

Yes

55. Number of GN / EN:

5

56. GN / EN size in device:

GN 1/1

Technical data sheet



Technical parameters

Combi convection steam oven electric 5x GN 1/1 direct steam touch screen automatic cleaning right door

| | | |
|--------------|-----------------|----------|
| Model | SAP Code | 00012877 |
|--------------|-----------------|----------|

57. GN device depth:

65

58. Food regeneration:

Yes